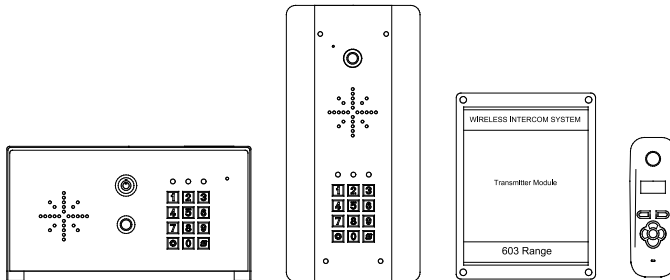


Homeowner User Manual

For
603 DECT Intercom



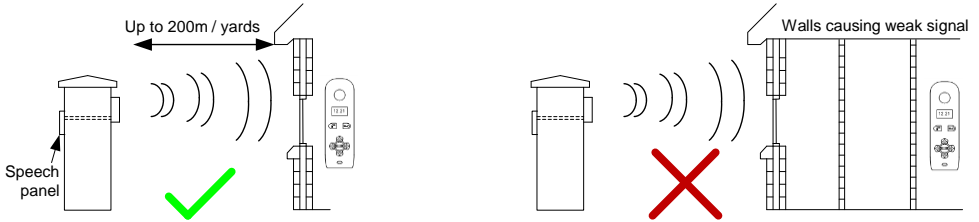
For Service, Warranty and Support Contact:

Installed By:	
Install Company Name:	
Installer Phone Number:	
Installer Email Address:	
Date of Install:	

The manufacturer cannot legally offer technical support to non-qualified gate or door installers. End users should employ the services of a professional install company to commission or support this product!

Wireless Signals

This intercom uses DECT (Digital Enhanced Cordless Telecommunications). This is a 1.88-1.9GHz digital frequency, designed and used primarily for cordless home telephones.

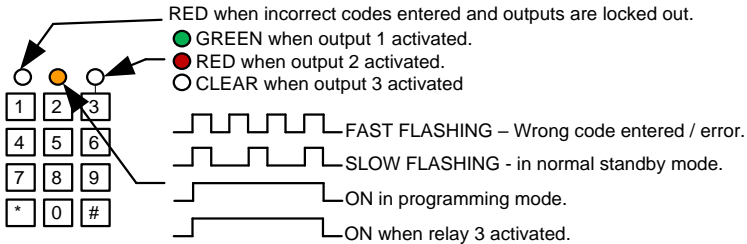


Tip: For longer range installations, locate the handset close to the front of the property, near a window if possible. Concrete walls can reduce the open-air range of 400 metres/yards by 30-50% per wall.

Tip: To achieve best range, locate the handset away from other sources of radio transmission, including other cordless phones, wifi routers, wifi repeaters, and laptops or PCs.

Keypad overview

This keypad has 3 outputs. The diagram below shows the LED indicators which indicate programming and relay status information.



TIP: Flashing amber LED is normal standby mode!

Using the keypad

Simply enter the code provided by your installer to open the gates or door. Note, for gate installs where a “hold open” or latching code has been provided, please note that if the gate is latched with the keypad, it cannot be unlatched with the handset and vice-versa.

The Handset

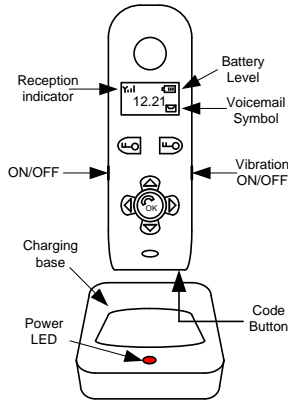
The handset should be charged for 8 hours before use.

Ring Another Handset

Press \triangleright and the unit will display HS1-5 depending on how many handsets are coded. Press ∇ and \triangle to select and then OK to call that handset.

Voicemail

When a call is not answered within 40 seconds, the visitor can leave a message. Once complete, the handset will display the ✉ symbol. The unit can store up to 16 messages.



Change Ring Volume

Press \triangle and ∇ to increase and decrease ring volume and press OK to save.

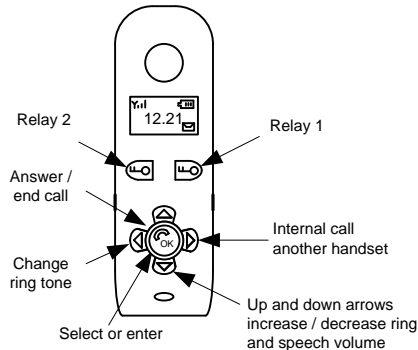
Change Ring Tone

Press \triangleleft and the handset will ring with its currently selected tone.

Press \triangle and ∇ to cycle through available ring tones and press OK to select and save.

To listen to voicemail, press OK to play. If there are more than 1 message, press \triangle and ∇ to select the message required and press OK to play. ☒ = Delete (Relay 1). Long press = delete all.

Using the intercom Handset



Adjusting time on Handset

Press OK for more than 2 seconds, and then use up and down arrow keys to set hour. Press OK again to cycle to minutes and adjust. Press OK once more to end the process.

Voicemail

To turn your voicemail ON, press and hold Relay 2 button for 3 seconds, scroll through the menu until you see 'Re'. Press OK to select 'Re' and adjust your setting to ON or OFF. Press OK to select. Press the right arrow end the process.

The manufacturer cannot legally offer technical support to non-qualified gate or door installers. End users should employ the services of a professional install company to commission or support this product!